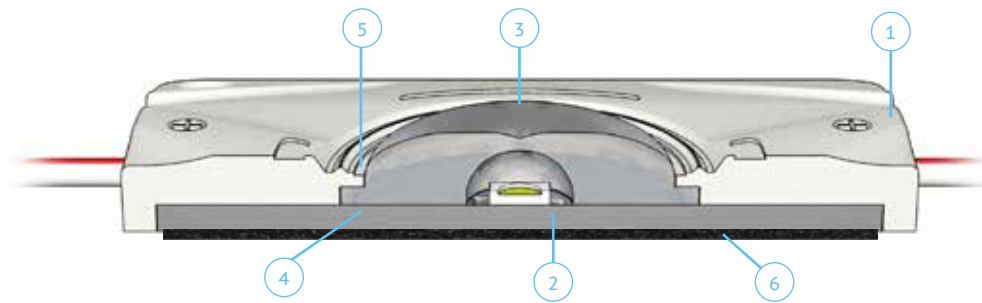


# L Series

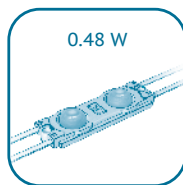


Modules

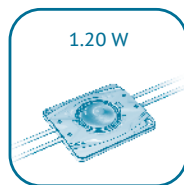
L Series is provided with 150° opening lenses that allow reducing the density of modules by square meter, reducing costs and maintaining adequate lighting levels.



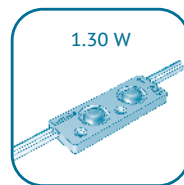
- 1. ABS Encapsulation
- 2. High dissipation MCPCB
- 3. 150° Beam angle
- 4. Current control
- 5. IP65 Protection
- 6. 3M® Double-sided Tape



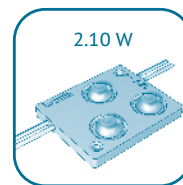
L480



L1200



L1300



L2100



Light box



Channel Letters



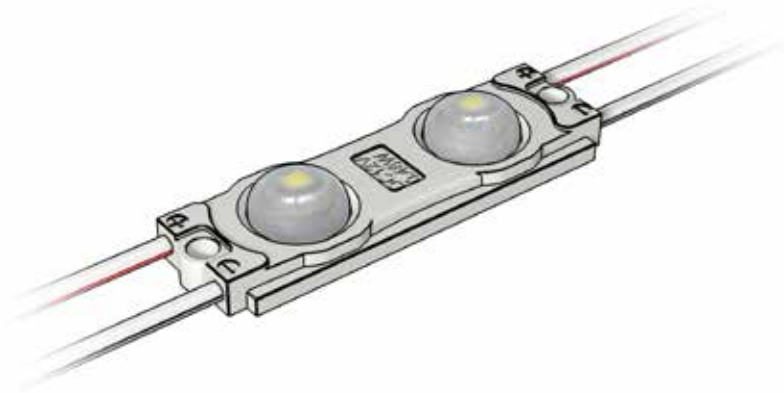
Halo letters



Totems



Cut Lettering



## APPLICATIONS



Light box



Channel letters



Halo letters



Cut lettering

- Luminous flux 44 lm (PW)
- Power 0.48 W
- Voltage DC 12V
- Beam Angle 150°
- IP65 Protection
- MCPCB
- Current control
- 50 Modules per chain

## CODES TABLE

Code	Color	Code	Color	Code	Color
025050	Warm white	025053	Cold white	025056	Yellow
025051	Neutral white	025054	Red	025057	Green
025052	Pure white	025055	Orange	025058	Blue

